

# Product Data Sheet

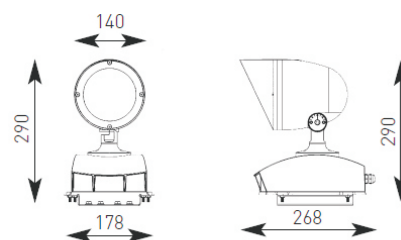
## Aztec HQI Architectural Projector

Supplied Less Lamp



AZT1/70MHL

- High performance architectural metal halide spotlight family with 12 degree beam
- Die-cast aluminium housing finished in graphite textured paint finish
- Integral electronic control gear (spike model requires listed remote electronic control gear)
- Adjustable head to 145 degrees
- Surface versions supplied with rotational mounting base for accurate alignment
- Hood can be removed if required



AZT1



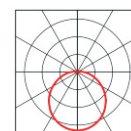
Angle Aiming Disk



Rotational Mounting Base (AZT1 and AZT4)

Code                      Lamp                      Description

<b>Projector</b>	<b>AZT1/35MHL</b>	CDM-T	35W
	<b>AZT1/70MHL</b>	CDM-T	70W
	<b>AZT1/150MHL</b>	CDM-T	150W



Photometric Data Available

# Product Data Sheet

## Aztec HQI Architectural Projector

Supplied Less Lamp



AZT4/150MHL



AZT3/35ECG



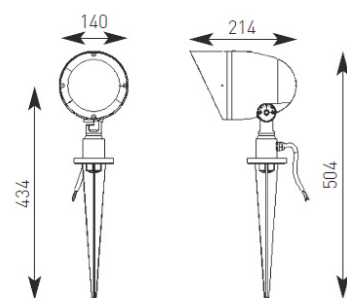
AZT3/35-70MHL



Angle Aiming Disk



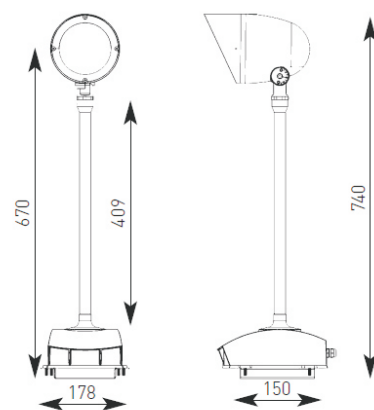
Rotational Mounting Base  
(AZT1 and AZT4)



AZT3

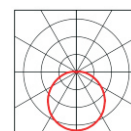


Remote Control Gear for AZT3



AZT4

	Code	Lamp	Description
Spike	AZT3/35-70MHL	CDM-T	35/70W
	AZT3/35ECG	CDM-T	35W Remote Control Gear
	AZT3/70ECG	CDM-T	70W Remote Control Gear
Extension Arm	AZT4/35MHL	CDM-T	35W
	AZT4/70MHL	CDM-T	70W
	AZT4/150MHL	CDM-T	150W



Photometric Data Available