

Product Data Sheet

Roma

Supplied Less Lamp

Collezione Italiana

HIGH FREQUENCY

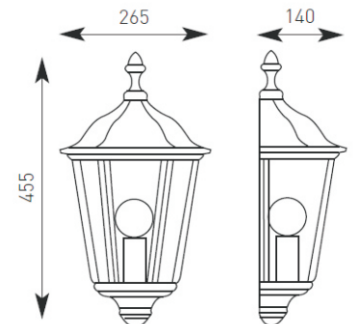


Transparent Lens for E27 versions (excluding PIR versions)



Opal Lens for PL and PIR versions

- Die-cast aluminium half-lantern in black or aged black silver with copper top
- Clear polycarbonate diffuser for E27 versions
- Opal polycarbonate diffuser for PL versions



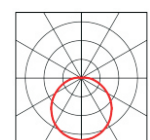
1 to 8 metres
5 seconds to 15 minutes
2 to 2000 LUX

E27 Options		
100W	23W 53	20W 53
130	130	130
Maximum size and wattage		



CE F E27 HF IP44

	Code	Lamp	Description
Wall Half-Lantern	ARE27/HL/BL	E27	100W - Black
	ARE27/HL/BS	E27	100W - Black Silver/Copper Top
Wall Half-Lantern with Integral PIR	ARE27/PIR/HL/BL	E27	100W - Black
	ARE27/PIR/HL/BS	E27	100W - Black Silver/Copper Top
High Frequency	ARPL/HL/BL/HF	PL-C	13W - Black
	ARPL/HL/BS/HF	PL-C	13W - Black Silver/Copper Top



Photometric Data Available