

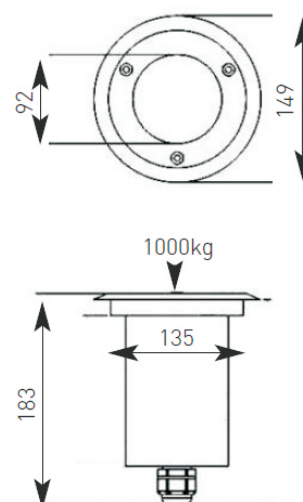
Product Data Sheet

GU10 Adjustable Inground Uplight

Supplied Less Lamp



- Die-cast aluminium housing with a clear toughened glass diffuser of 8mm thickness
- 316 stainless steel top ring and stainless steel allen key screws
- Adjustable lampholder to allow up to 15 degree vertical inclination of lamp
- Suitable for pedestrian traffic with a static impact resistance of up to 1000kgs



Caution: surface glass temperature will get very hot under normal halogen operation. It is recommended to use GU10 CFL or LED lamps for cooler operation.

Code	Lamp	Description
AW0/GU10	GU10	50W

GU10 LED and CFL Options			
Philips		Megaman	
3W LED	7W LED	7W LED	11W CFL
50	50	50	50
56	81	74	76
Maximum size and wattage			

CE F IP65